

RADI – Screw Plugs (Polyamide and Brass)

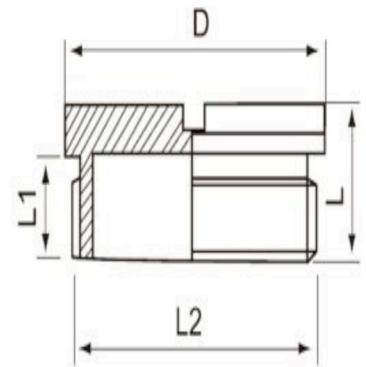
Polyamide Screw Plugs

Body material: Made from Nylon PA66 Material
O-seal ring material: Nitrile Butadiene Rubber (NBR)
Operating temperature: -40 Deg. C to +100 Deg. C
Colors available: Black, Light Grey and Dark Grey



Product Dimensions

| Part Number | Thread Size | Thread O.D L2 (mm) | Thread Length L1 (mm) | Standard Packing |
|-------------|-------------|--------------------|-----------------------|------------------|
| PGNP-PG7 | PG7 | 12.5 | 8.5 | 15 |
| PGNP-PG9 | PG9 | 15.2 | 8.5 | 20 |
| PGNP-PG11 | PG11 | 18.6 | 9 | 25 |
| PGNP-PG13.5 | PG13.5 | 20.4 | 9 | 25 |
| PGNP-PG16 | PG16 | 22.5 | 10.5 | 30 |
| PGNP-PG21 | PG21 | 28.3 | 10.5 | 30 |
| PGNP-PG29 | PG29 | 37 | 11.5 | 40 |
| PGNP-PG36 | PG36 | 47 | 13.5 | 50 |
| PGNP-PG42 | PG42 | 54 | 13.5 | 50 |
| PGNP-PG48 | PG48 | 59.3 | 14.5 | 50 |
| PGMP-M12 | M12x 1.5 | 12 | 8.5 | 15 |
| PGMP-M16 | M16x 1.5 | 16 | 8.5 | 20 |
| PGMP-M25 | M25x 1.5 | 25 | 10.5 | 30 |
| PGMP-M32 | M32x 1.5 | 32 | 10.5 | 30 |
| PGMP-M40 | M40x 1.5 | 40 | 11.5 | 50 |
| PGMP-M50 | M50x 1.5 | 50 | 13.5 | 50 |
| PGMP-M63 | M63x 1.5 | 63 | 14 | 50 |



Brass Screw Plugs

Body material: Made from Brass as per BS 2874 CZ121 Pb3
O-seal ring material: Nitrile Butadiene Rubber (NBR)
Available finishing: Yellow Brass, Nickel Plated
Thread available: Metric, PG and NPT



Product Dimensions

| Part Number | Thread Size | Thread O.D L2 (mm) | Thread Length L1 (mm) | Body O.D D (mm) | Total Length L (mm) | Standard Packing |
|-------------|-------------|--------------------|-----------------------|-----------------|---------------------|------------------|
| RADI-SPM16 | M16x 1.5 | 16 | 6 | 18 | 8 | 20 |
| RADI-SPM20 | M20x 1.5 | 20 | 6.5 | 22 | 8.5 | 20 |
| RADI-SPM25 | M25x 1.5 | 25 | 7 | 27 | 10 | 20 |
| RADI-SPM32 | M32x 1.5 | 32 | 8 | 34 | 11 | 20 |
| RADI-SPM40 | M40x 1.5 | 40 | 9.5 | 44 | 13 | 20 |
| RADI-SPM50 | M50x 1.5 | 50 | 10.5 | 54 | 14.5 | 20 |
| RADI-SPM63 | M63x 1.5 | 63 | 10.5 | 67 | 15 | 20 |